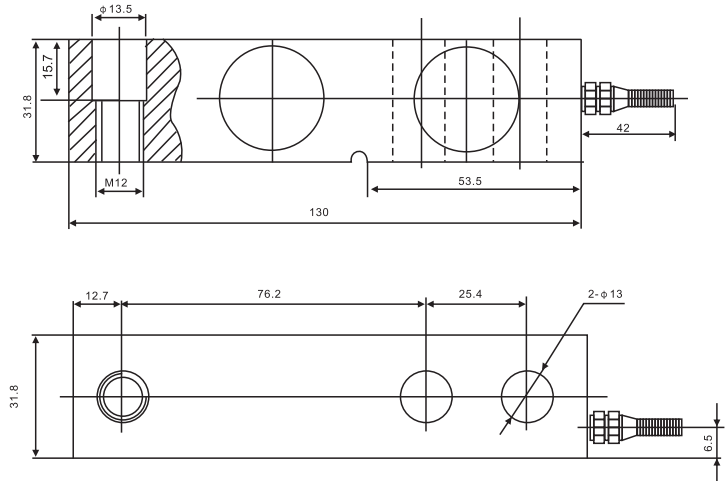


SQB/SQB-A/-SS/-ASS Loadcell

SQB/SQB-A/-SS/-ASS

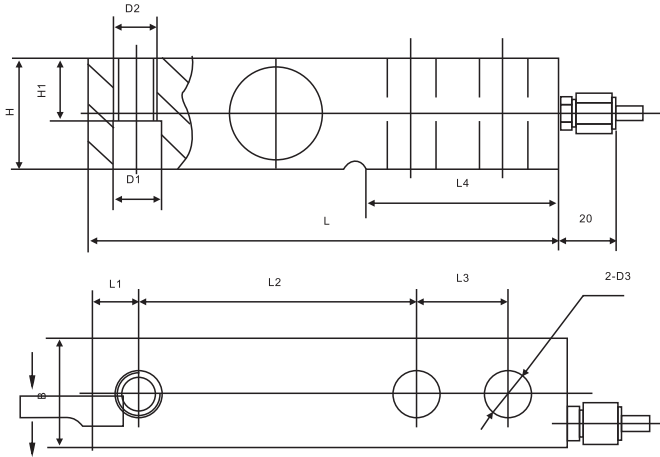


SQB/SQB-A 0.25~2.5t

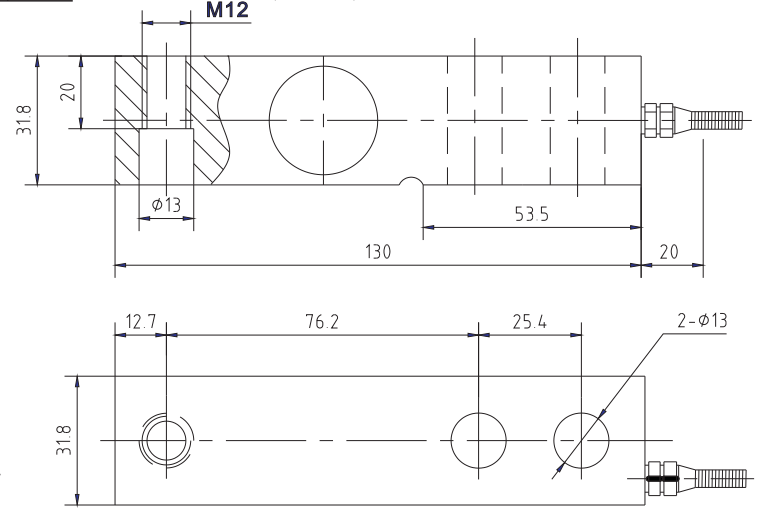


| Rated Load (t) | L | L1 | L2 | L3 | L4 | H/B | H1 | D1 | D2 | D3 |
|----------------|-------|------|------|------|------|------|------|-----------|---------|-----------|
| 3.5 | 171.5 | 19 | 95.3 | 38.1 | 72.5 | 38.1 | 26 | $\phi 20$ | M18x1.5 | $\phi 20$ |
| 7.5~10 | 225.5 | 25.3 | 124 | 50.8 | 102 | 50.8 | 25.4 | $\phi 27$ | M24x2 | $\phi 27$ |

SQB/SQB-A/SQB-SS/SQB-ASS 3~10t



t
SQB-SS/SQS-ASS 0.25~2.5



TECHNICAL PARAMETER | OAP version 4Wires:Exc+(Blue);Exc-(Black);Sig+(White);Sig-(Red)

| | | | |
|------------------------|--|--------------------------------|--|
| Rated capacities(Emax) | 0.25, 0.3, 0.5, 0.75, 1, 1.5, 2, 2.5, 3, 5, 7.5, 10t | Temperature range, compensated | -10°C~+40°C |
| Sensitivity | 3.0±0.003mV/V(0.5~10t);2.0±0.002mV/V(0.25~0.3t) | Temperature range, operating | -30~+70°C |
| Accuracy class | C2~C5 | Maximum safe overload | 150%F.S |
| | | Ultimate overload | 180%F.S |
| Zero balance | ±1%F.S | Excitation, recommended | 10~12V DC |
| TC ZERO | ±0.02%F.S/10°C | Excitation, maximum | 15V DC |
| TC SPAN | ±0.02%F.S/10°C | Protection class | IP67(0.25~0.75t);IP68(1~10t) |
| Input resistance | 400±20Ω | Construction | Alloy Steel Stainless Steel |
| Output resistance | 352±3Ω | Cable | Length:3m(0.25~2.5t),4.2m(3~5t),5m(7.5~10t) |
| Insulation resistance | ≥5000MΩ | | Diameter: $\phi 5$ mm(0.25~5t; 0.25~0.3t); $\phi 6$ mm(7.5~10t, 0.5~10t) |